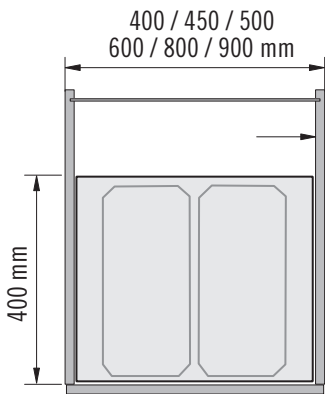


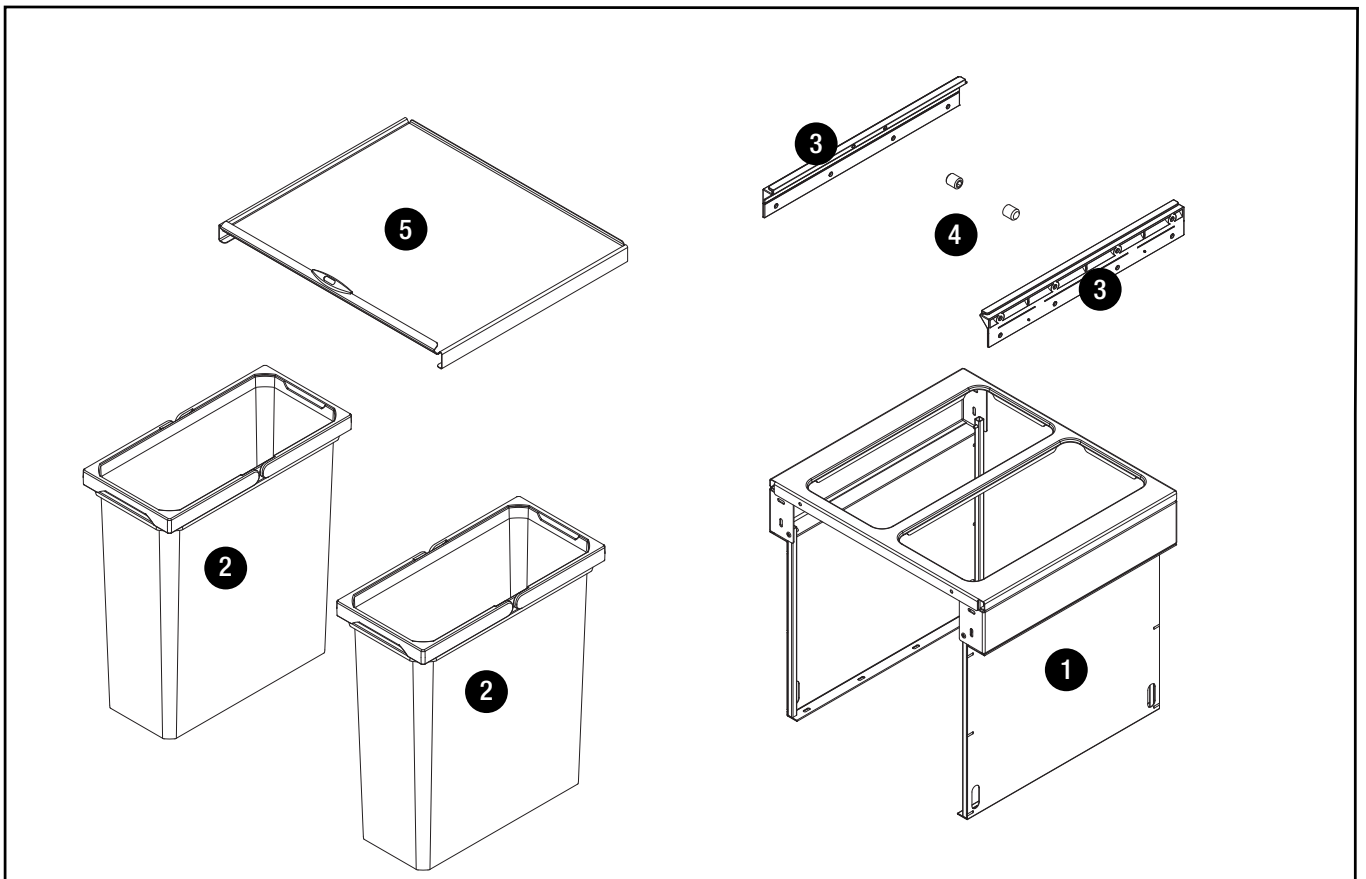
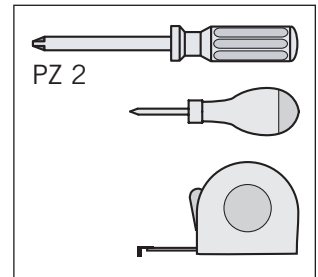
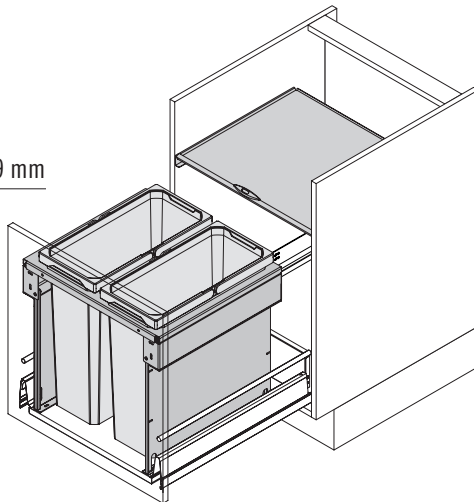
07 / 2019



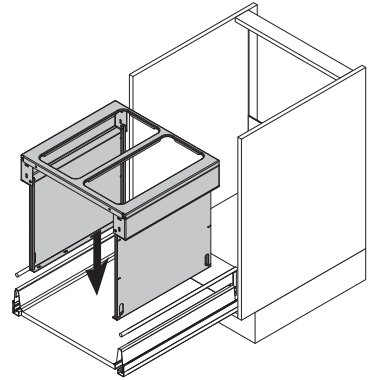
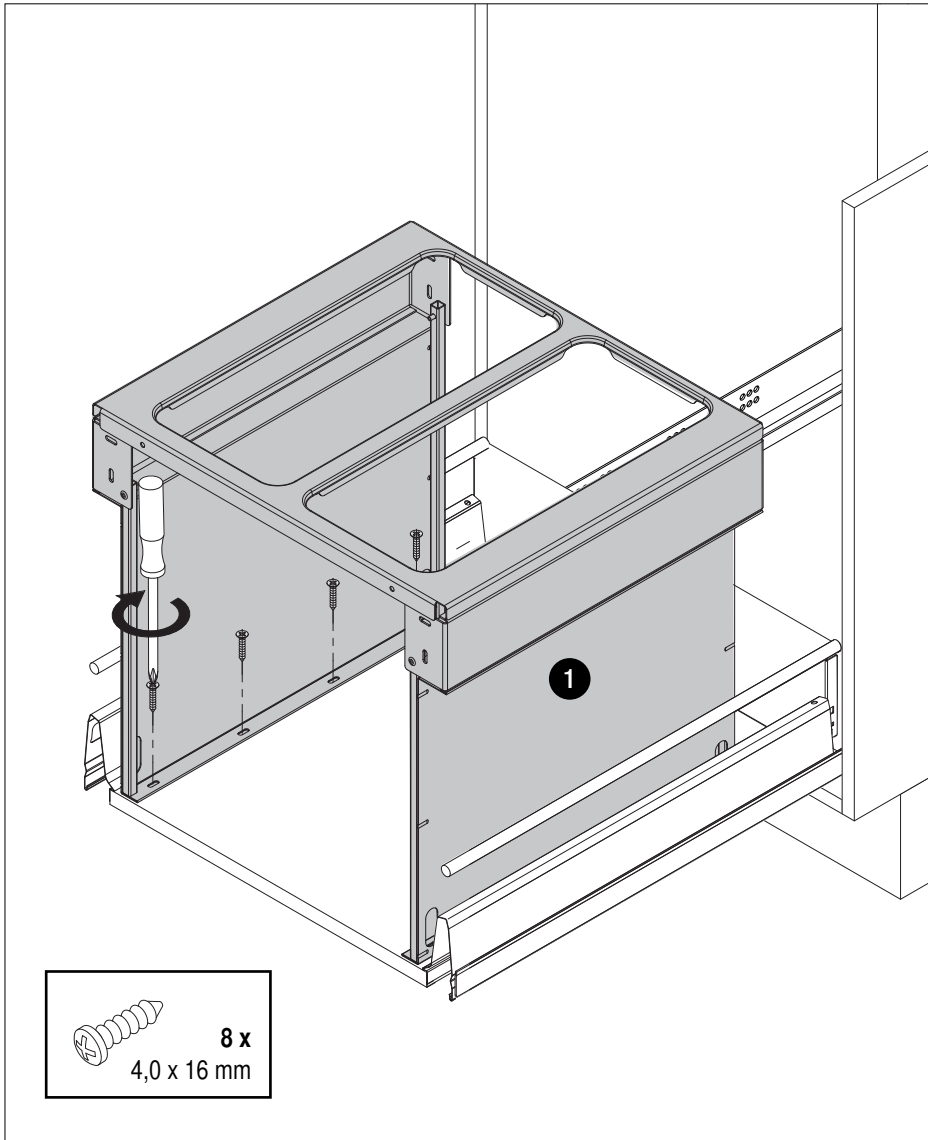
# VS ENVI® Flex



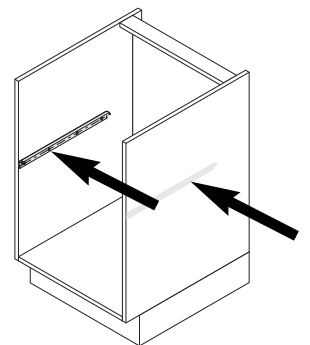
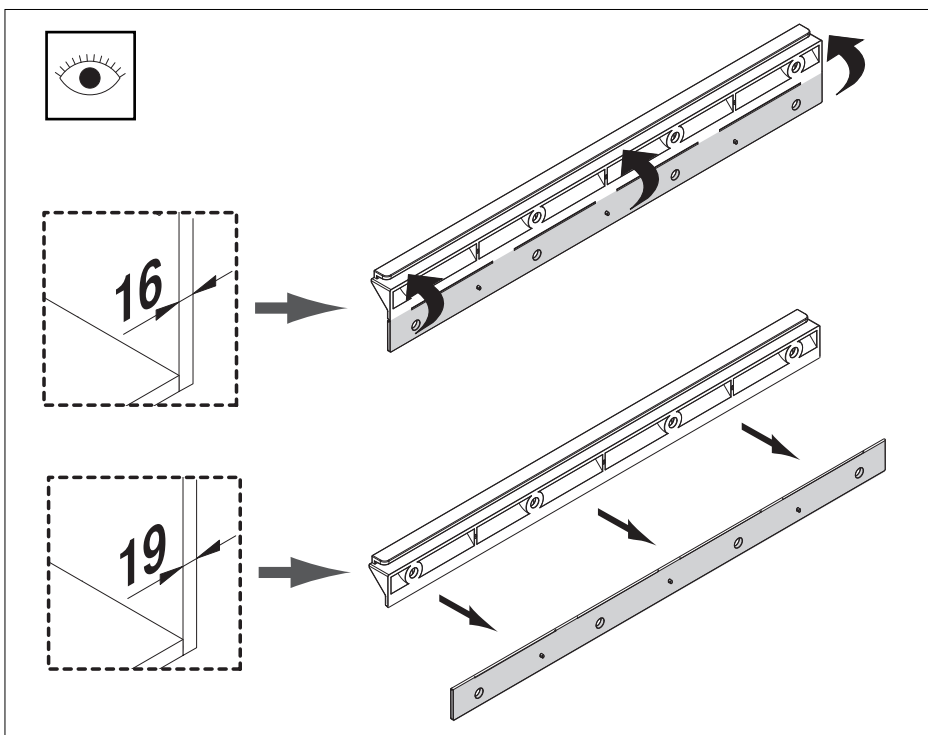
16 - 19 mm



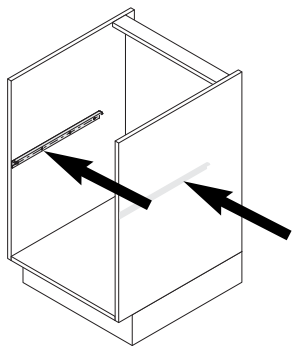
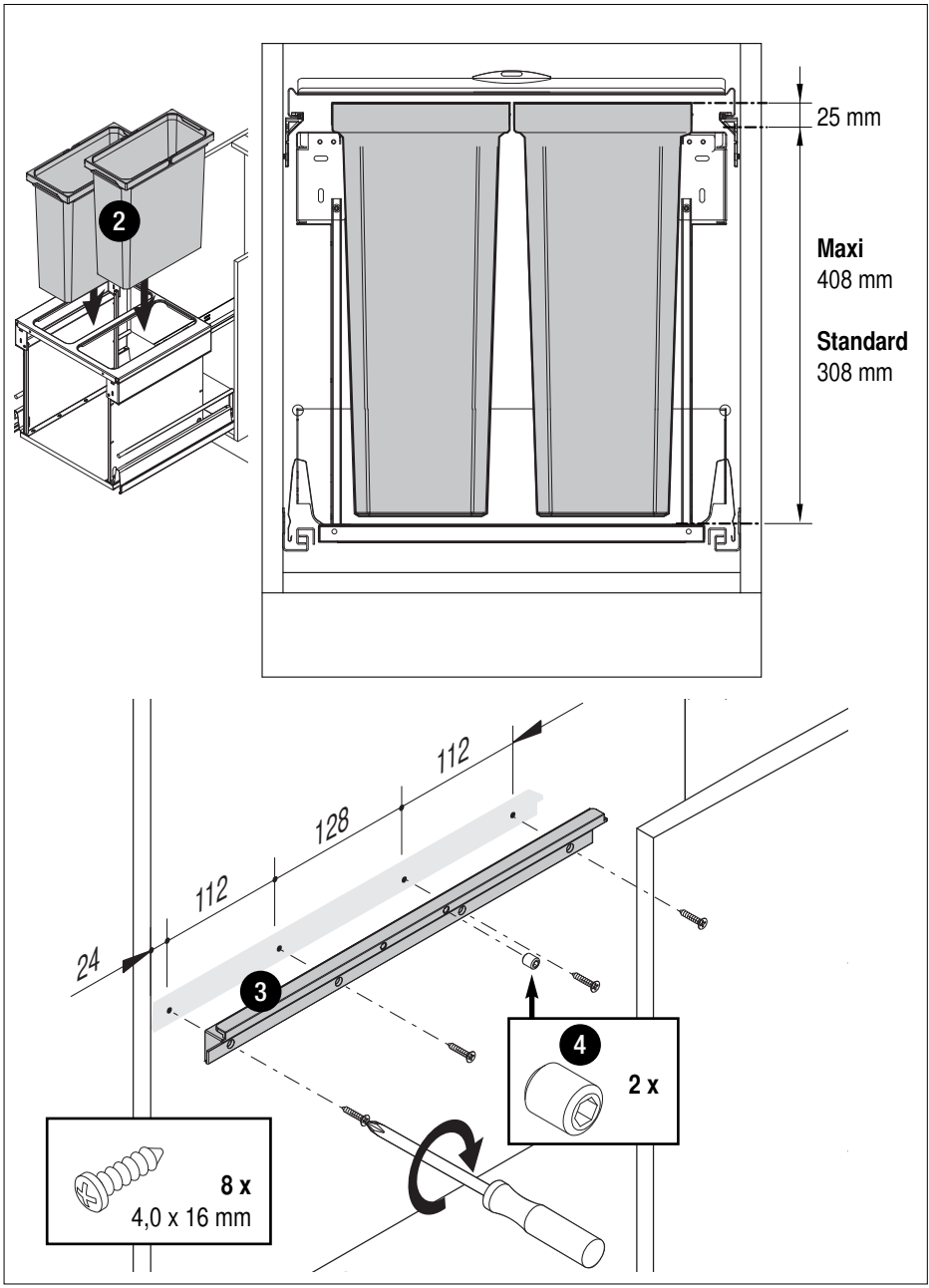
1



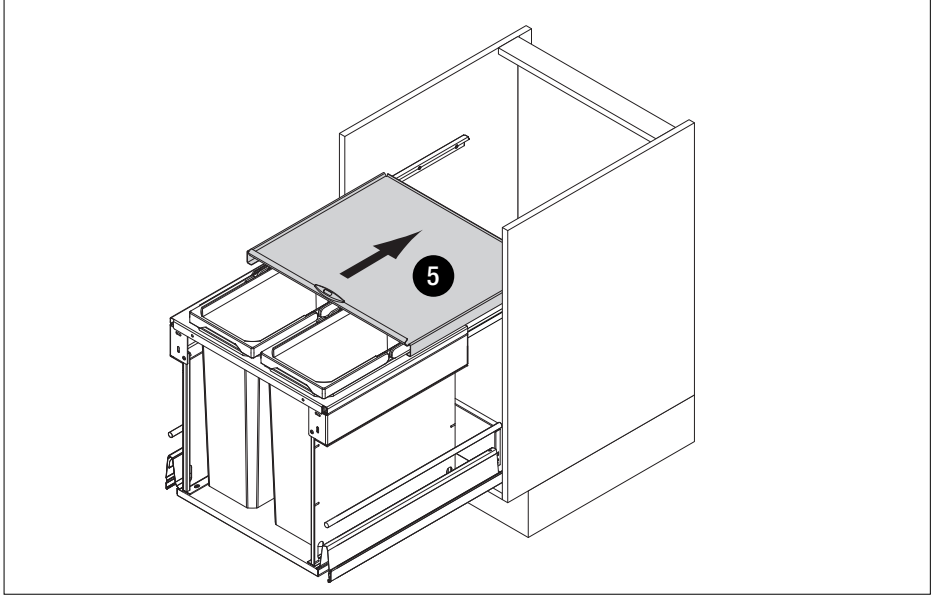
2



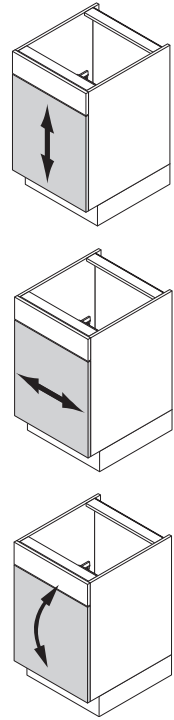
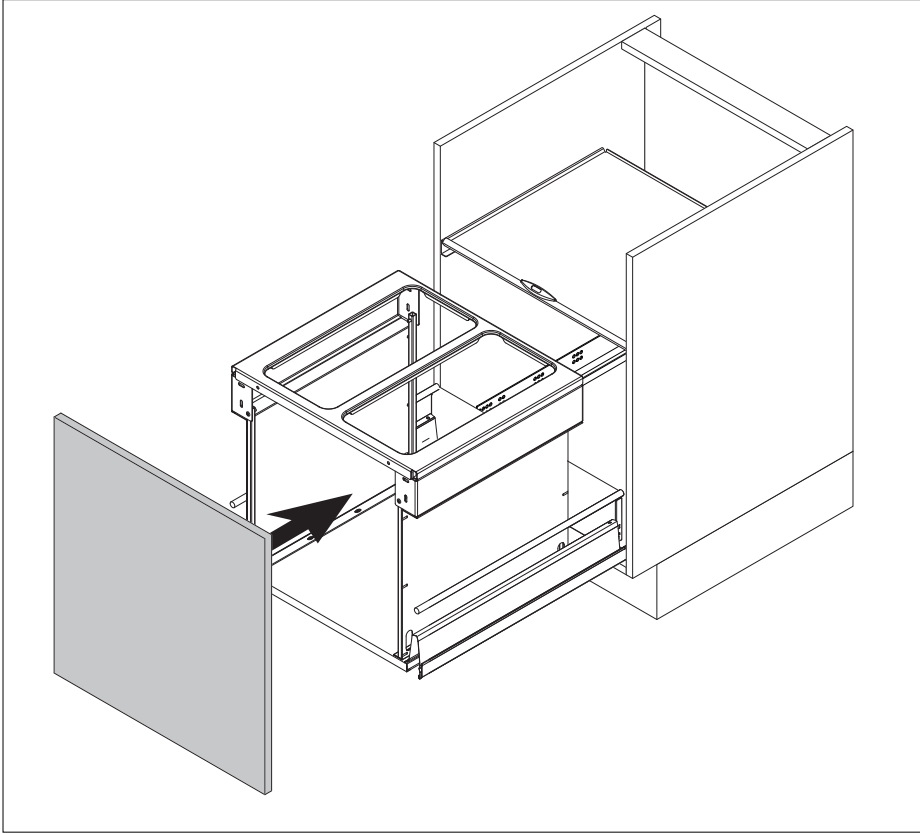
**3**



**4**



5



6

